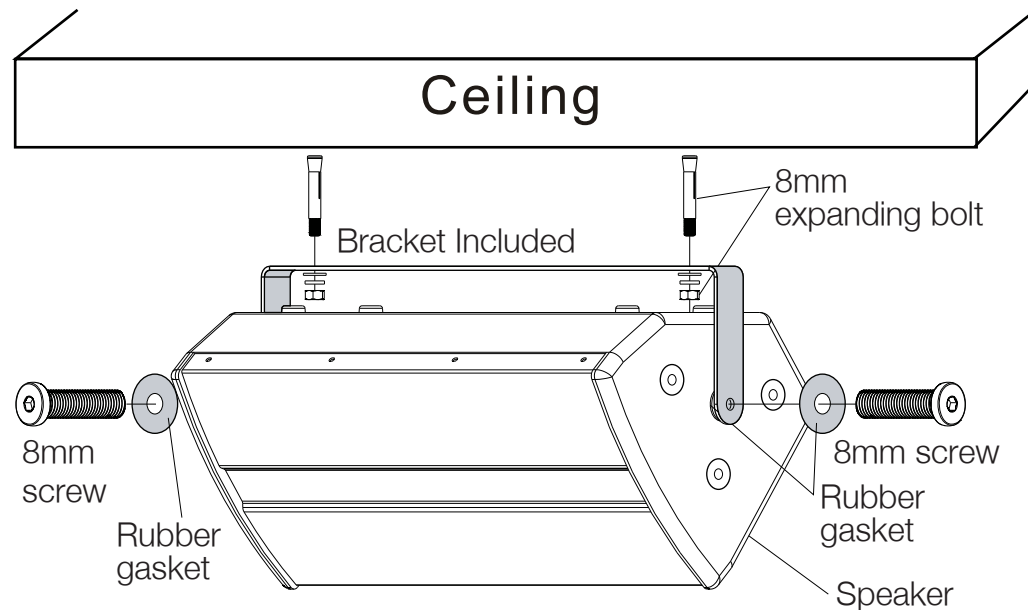


## 1. Mounting the Speaker to the Ceiling

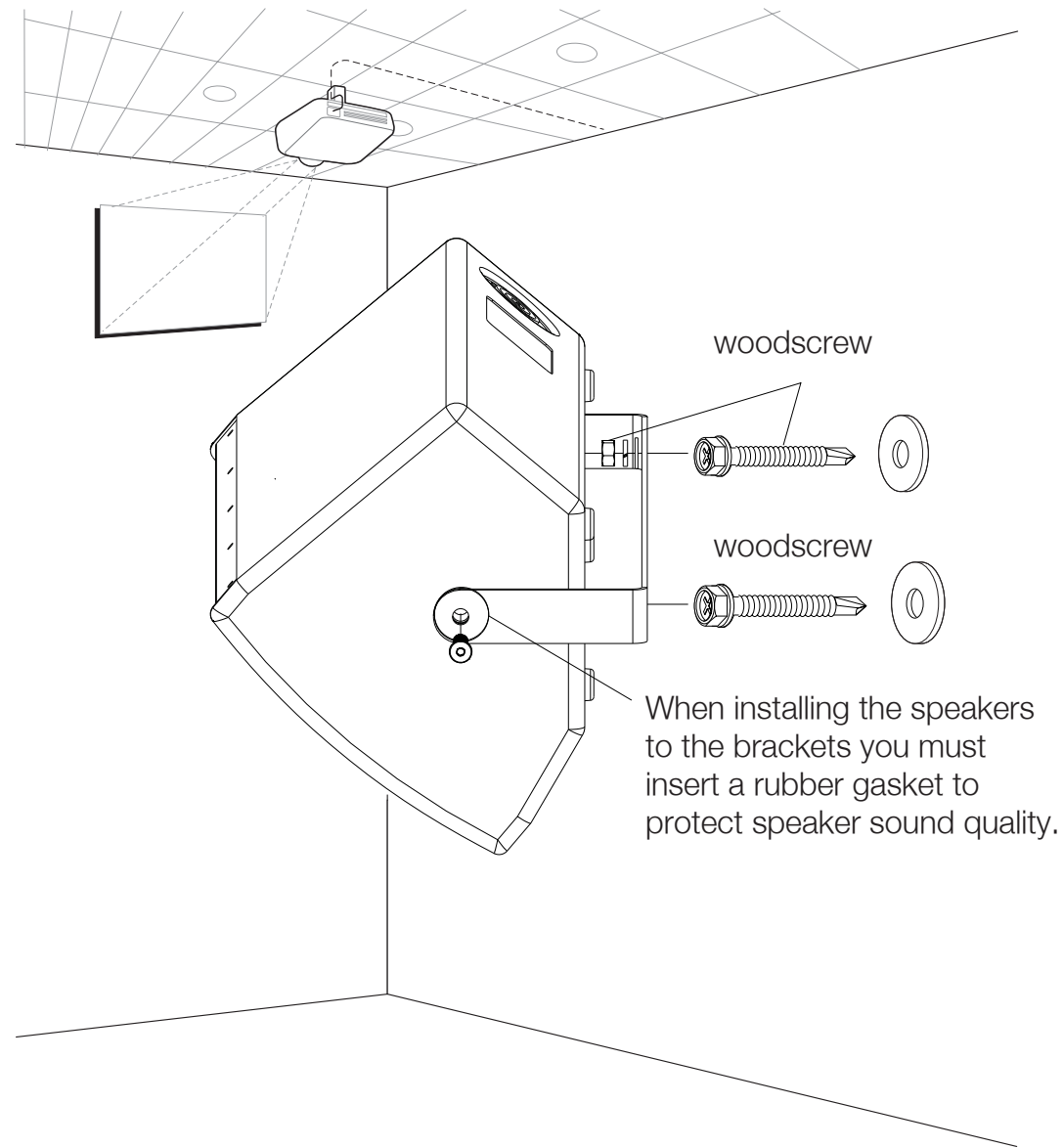
First hold the speaker bracket under the ceiling, then screw the bracket into the ceiling wall. Unscrew the two alan screws found on the center of both the speaker sides. Place a rubber gasket for the sound quality, and screw the speakers back into the brackets as shown in the diagram below.

**NOTE** We recommend that you seek professional installation service for your protection and safety.



## 2. Mounting the Speaker to the Wall

You may use wooden or concrete screw depending on the wall's material for installation. Use woodscrew for wood wall and concrete screw for concrete wall. The screw size is 8mm for both wooden and concrete screws.



## 3. Monitor Speaker

When you use this speaker as a center speaker or “monitor” speaker, this speaker has 4 plastic washers screws on the bottom of the speakers to prevent extreme shaking from recoil. You may use the bracket to mount the speaker tightly onto the floor or ground. Therefore, the speaker is firmly held even with extremely loud music.

**NOTE** We recommend all users to seek professional advise for safety purposes when mounting the speakers onto floor or ground.

